

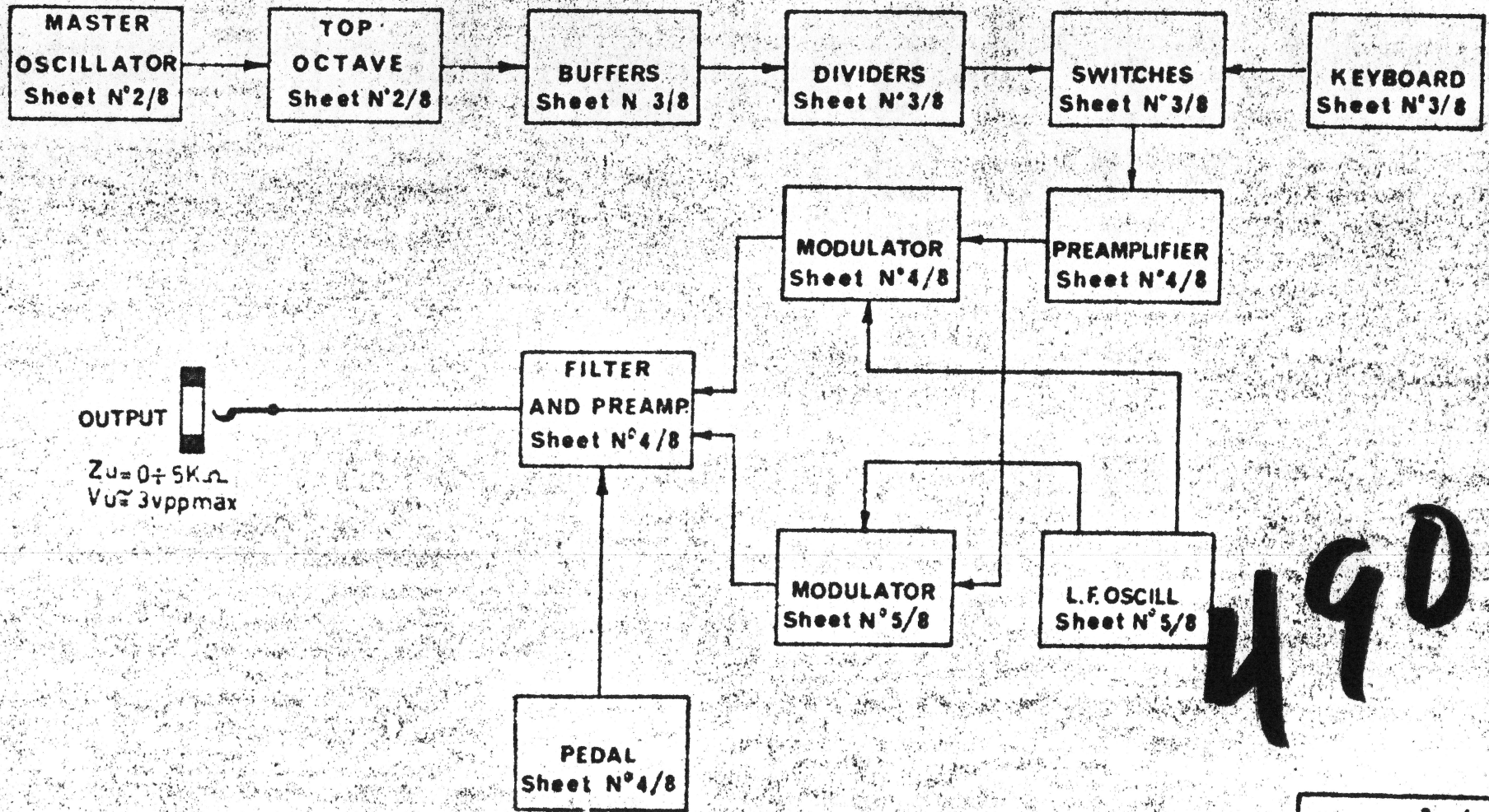
**ELKA**

*Elka Rhapsody 490*

---

schematic diagrams

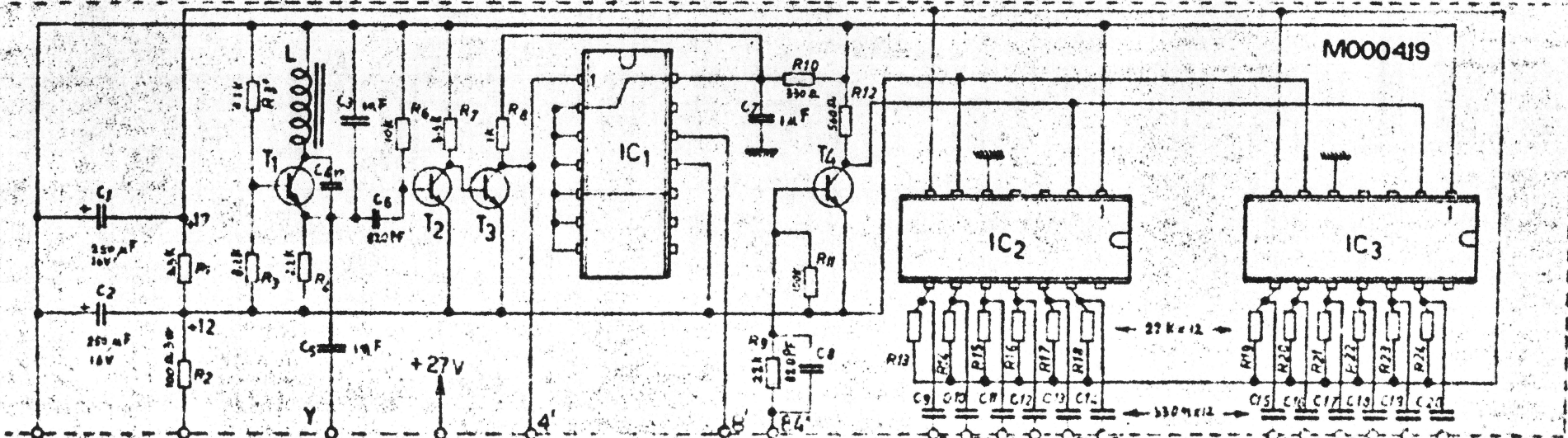
---



490

Sheet N° 1/8

Drawn by <i>[Signature]</i>	Designed by <i>[Signature]</i>	Schematic Diagram for Elkarhapsody 490	ELKA
Date 16-7-76	Checked by <i>[Signature]</i>		



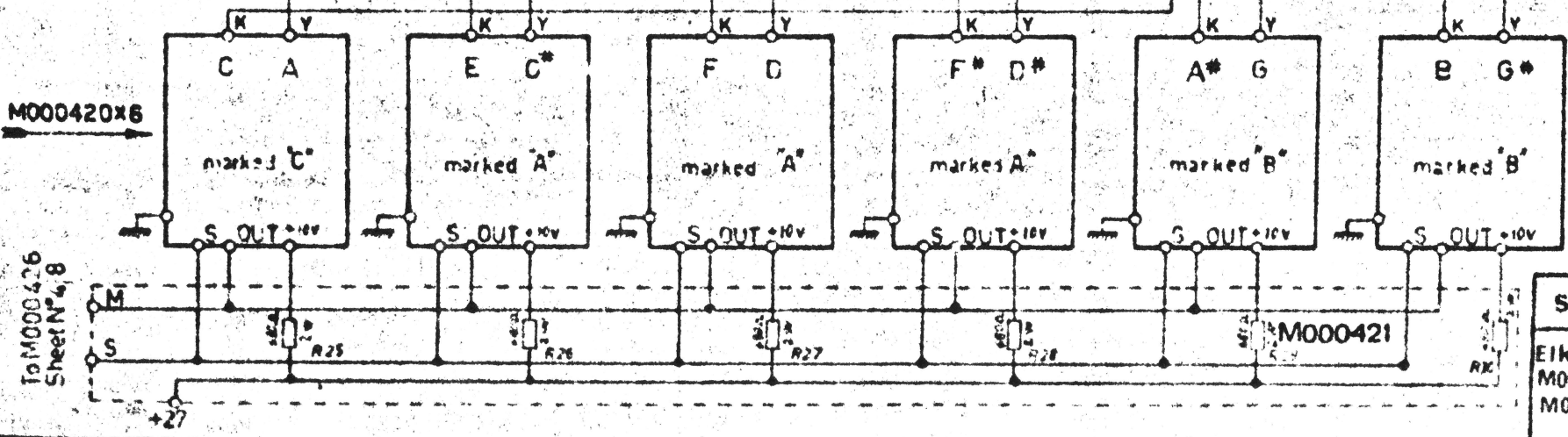
CODE	TYPE	Transistors
T1-T3	NPN	MJ102 N torola
T4	NPN	A09 Motorola

TUNING  
L=Tuning Coils Grey Point

TO M000425  
Sheet N°4/8

TO M000425  
Sheet N°4/8

Texas  
IC1-SN747  
IC2-2555 AMI  
IC3-2556 AMI



To M000426  
Sheet N°4/8

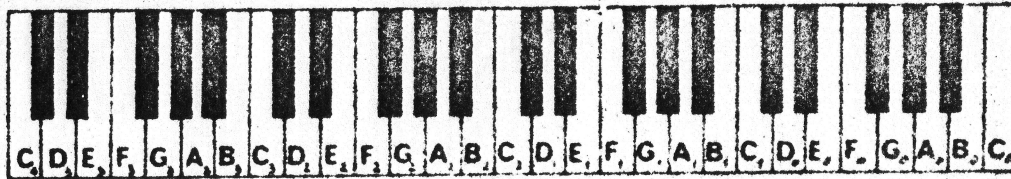
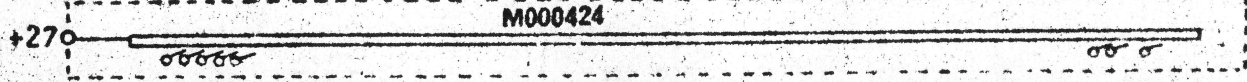
Sheet N°2/8  
Eikarhapsody 490  
M000419 Tone Gen.  
M000421

	C <sub>46</sub>	C <sub>42</sub>	C <sub>40</sub>	C <sub>38</sub>	C <sub>36</sub>	C <sub>34</sub>	C <sub>32</sub>	C <sub>28</sub>	C <sub>24</sub>
A	39	18	62	33	15	6.8	33	3.9	
B	27	12	56	22	10	4.7	22	2.7	
C	39	27	12	56	22	10	4.7	22	2.7

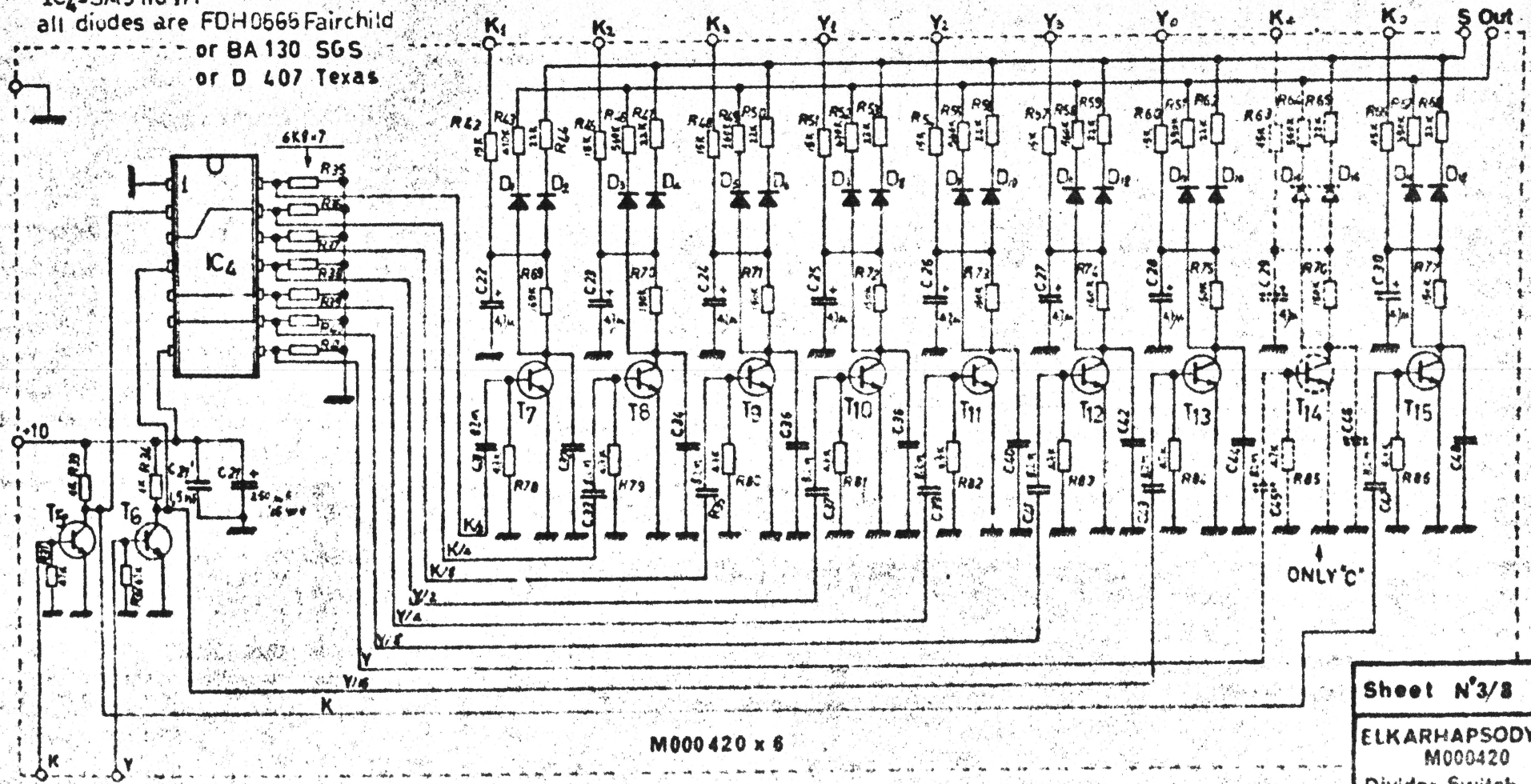
C (nF)

IC<sub>4</sub> - SAJ110 ITT

all diodes are FDH0665 Fairchild  
or BA 130 SGS  
or D 407 Texas

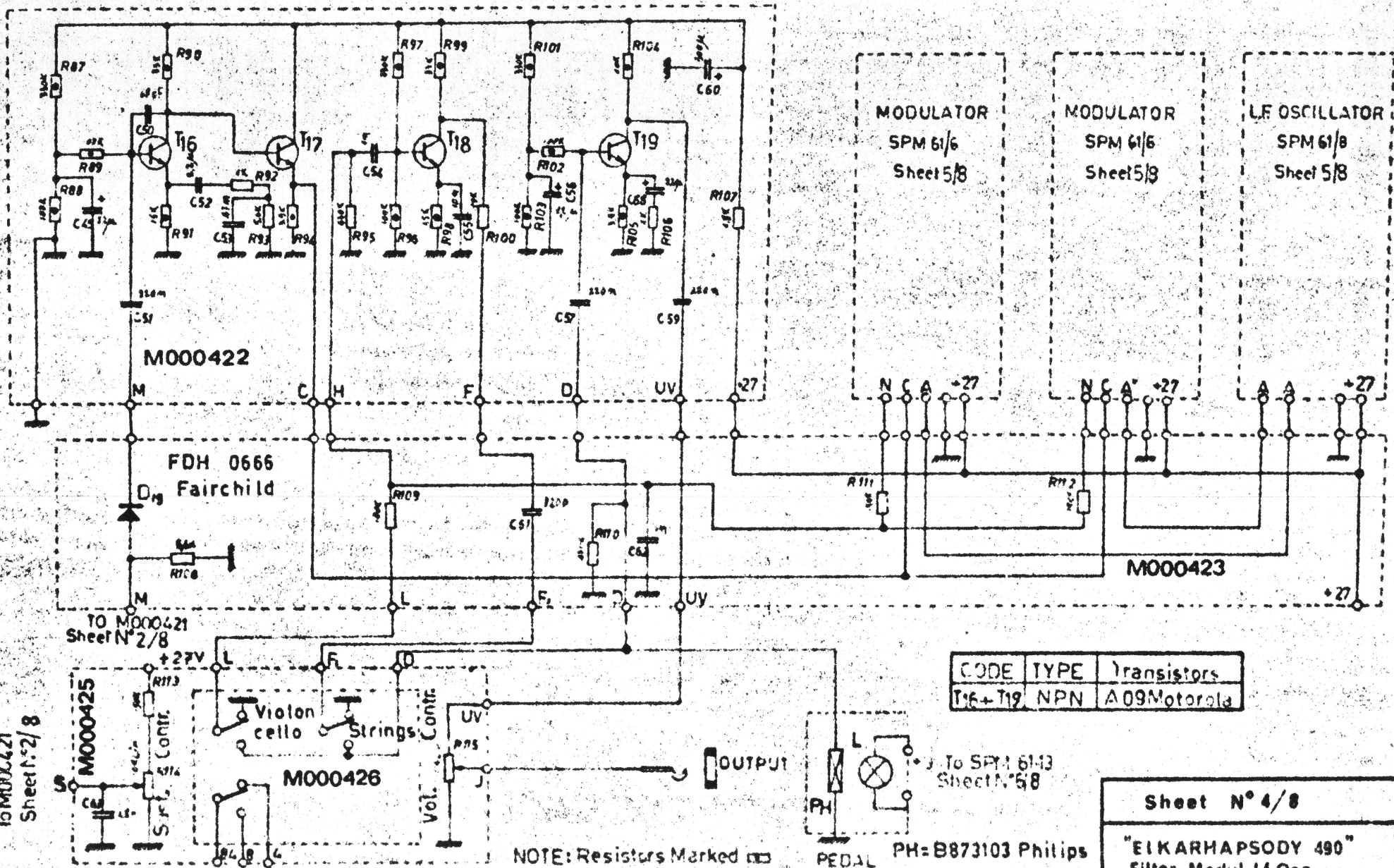


Code	Type	Transistors
S+T <sub>16</sub>	NPN	F33805
		Fairchild



M000420 x 8

Sheet N°3/8  
ELKARHAPSODY490  
M000420  
Divider Switch



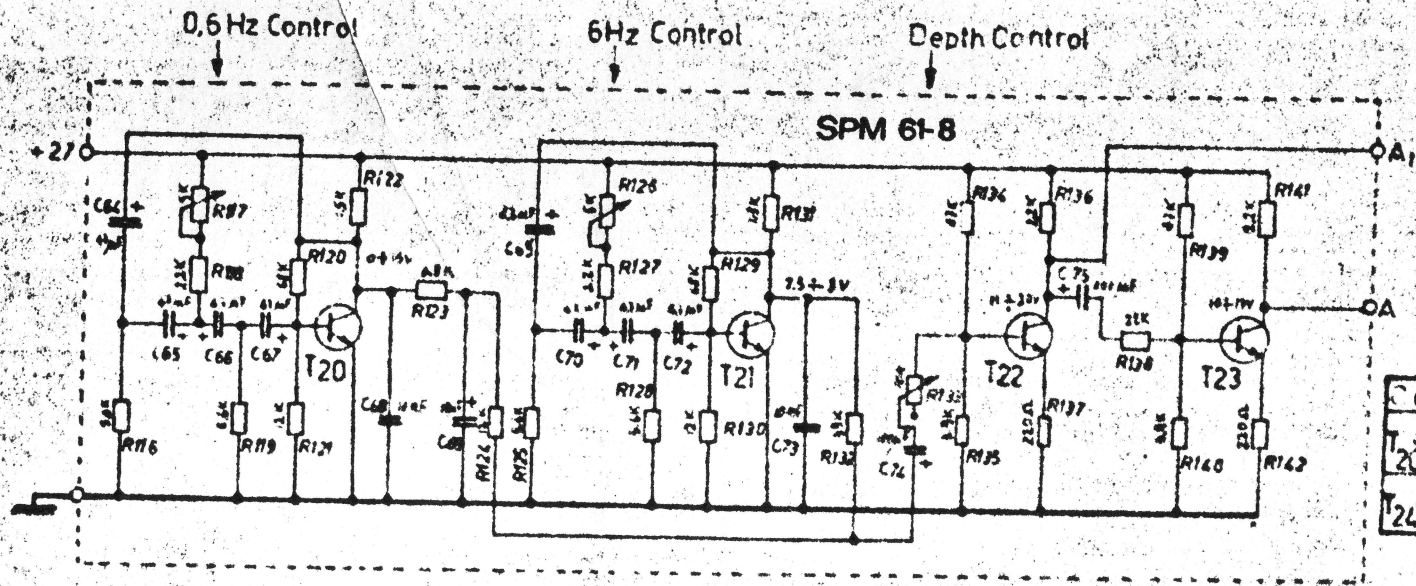
CODE	TYPE	Transistors
T16 + T19	NPN	A09 Motorola

NOTE: Resistors Marked are low noise

PH=B873103 Philips  
L=12-3V

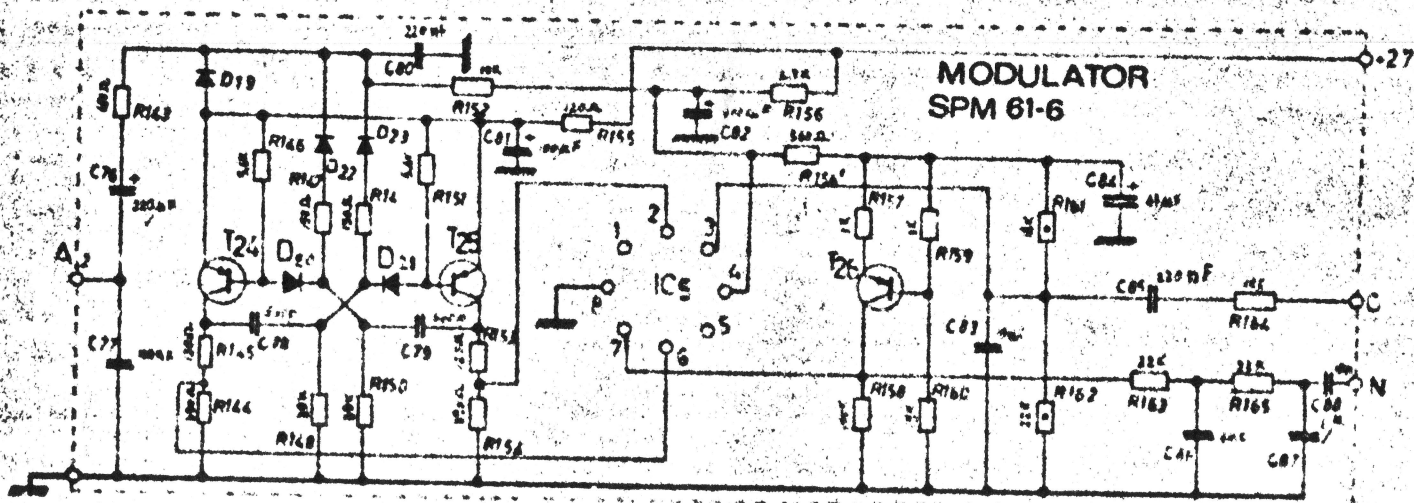
Sheet N° 4/8

"EL KARHAPSODY 490"  
Filter-Modul-Lf Osc.  
M000422 M000425



Code	Type	Transisto
T <sub>20</sub> -T <sub>23</sub>	NPN	A09 Motorola
T <sub>24</sub> -T <sub>27</sub>	NPN	BC154 Fairchild

IC<sub>5</sub>=TCA 550 ITT

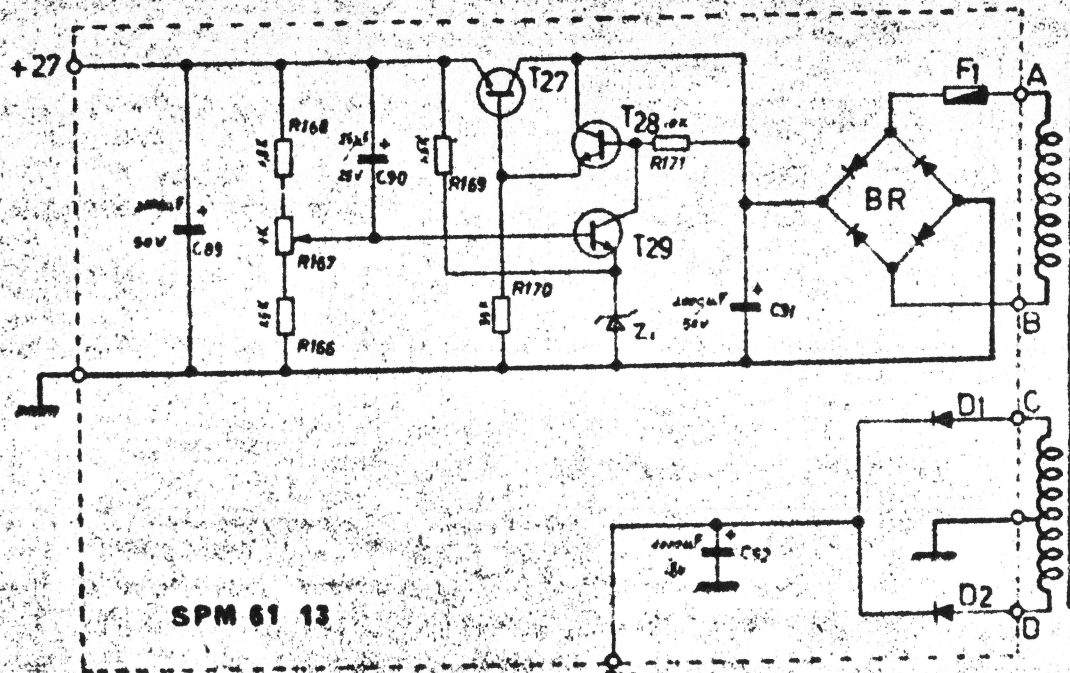


NOTE: Resistor marked  $\square$  are low noise

Sheet N° 5 / 8

ELKHARHAPSODY490  
SPM61|6 Modul.  
SPM61|8 LEOscill.

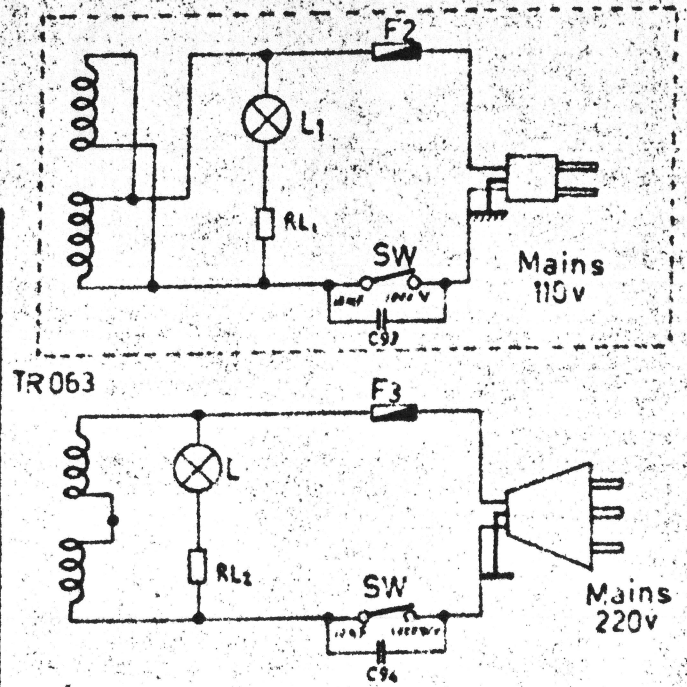
# POWER SUPPLY



SPM 61 13

+ 9V  
To Lamp of  
Swell Pedal  
Sheet N° 46

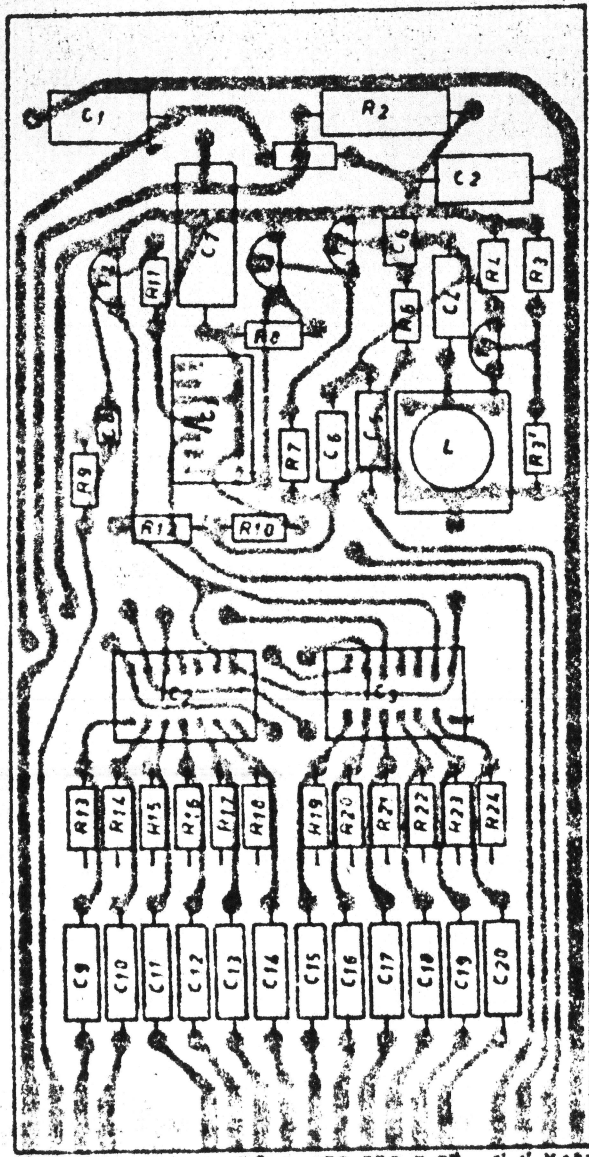
- Z1 = TZ 111-PL117-1N4153 B
- BR = W 02
- D1, D2 = 1002 1N4003
- F1 = 1.25A
- F2 = 500mA
- F3 = 315 mA
- TR = Transformer 063 ELKA (Ec/70401)
- SW+L = Neon 220V/1108R/NB 2



CODE	TYPE	Transistors
T28-T29	NPN	2N4401-2N5156 Fairchild
T27	NPN	2N3055 Mistral Motorola

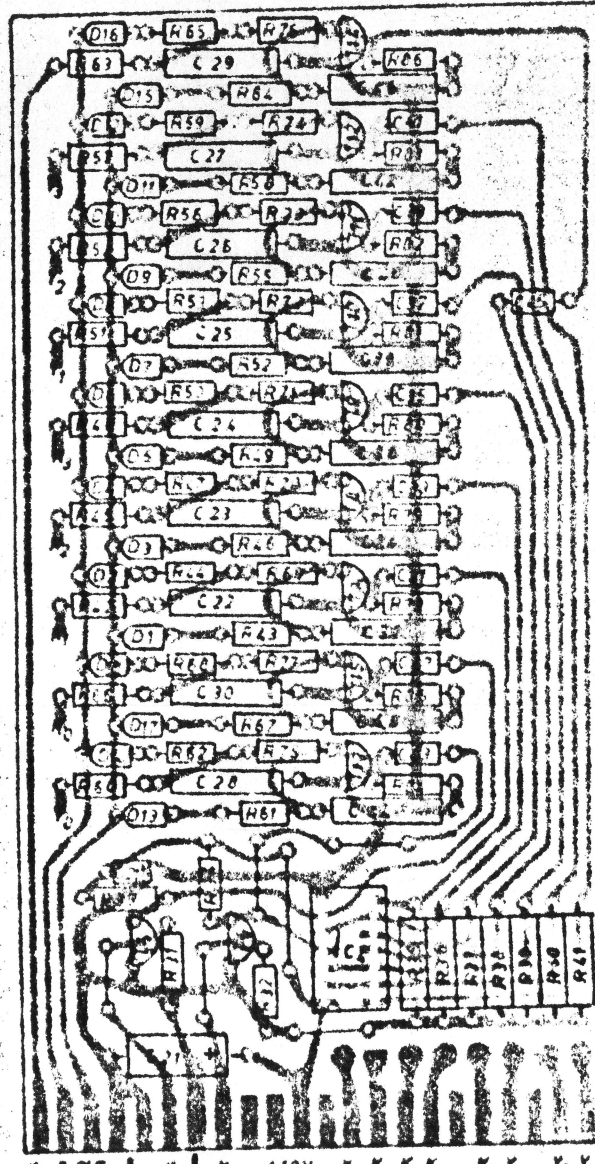
Sheet N° 6 / 8  
ELKARHAPSODY 490  
POWER SUPPLY  
SPM 61/13

M000419



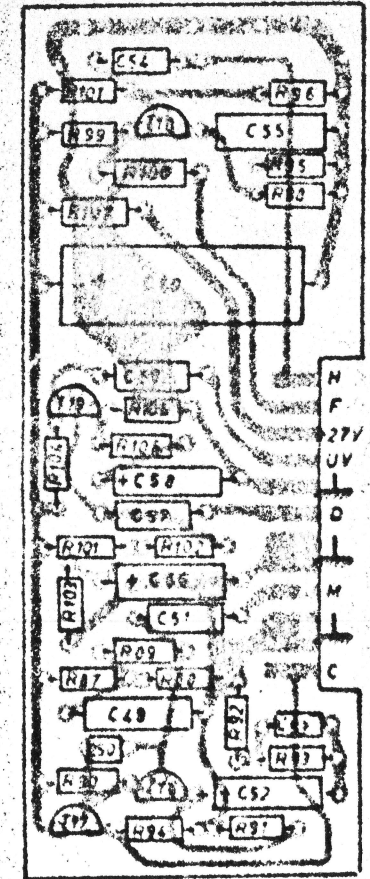
04 0 6° A B C C'D D'E F F' 8' 4' Y+27V

M000420



K 5 OUT K Y +10V Y<sub>0</sub> K<sub>0</sub> K<sub>1</sub> K<sub>2</sub> K<sub>3</sub> Y<sub>1</sub> Y<sub>2</sub> Y<sub>3</sub>

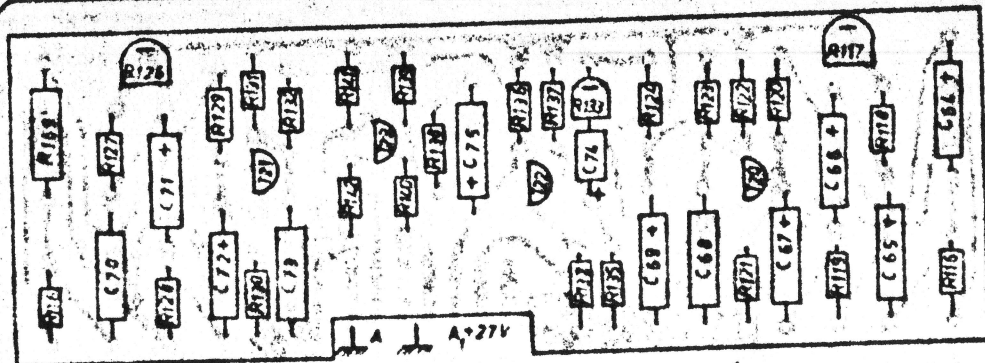
M000422



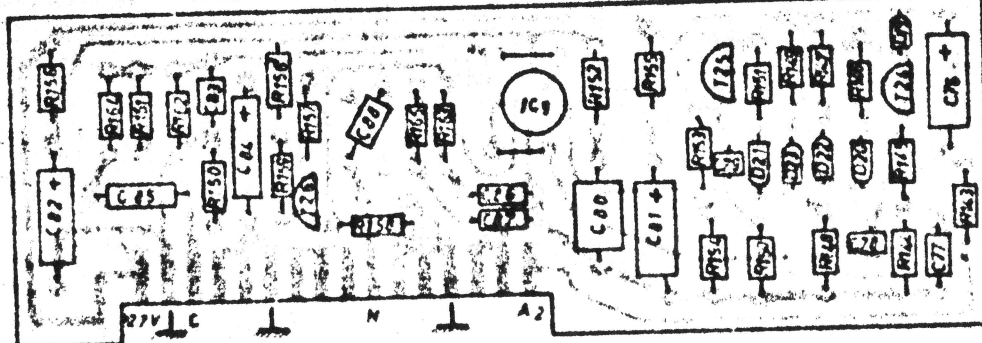
	Model 6LMA	Object Assembly of Printed Circuit M000419 M000420-M000422	Sheet N 7-8
	AM-PSODY 490		Date 3-9-70



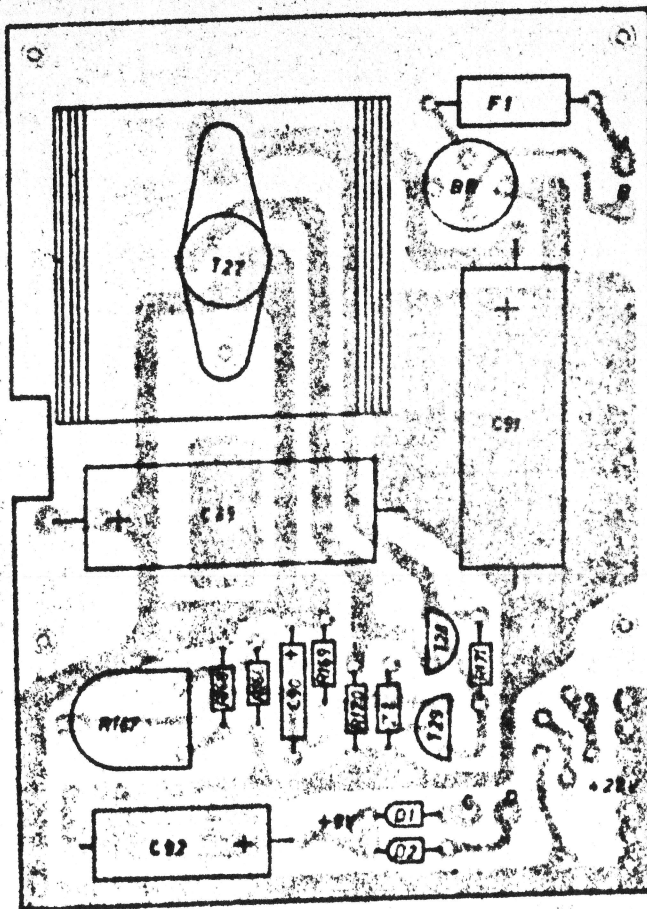
SPM 61-8




SPM 61-6



SPM 61-13



	Model ELNA	Object: Assembly of Printed Circuit SPM 61-6	Sheet N 8-8
	RNAPS02Y 690	SPM 61-6 SPM 61-13	Date 3-9-76