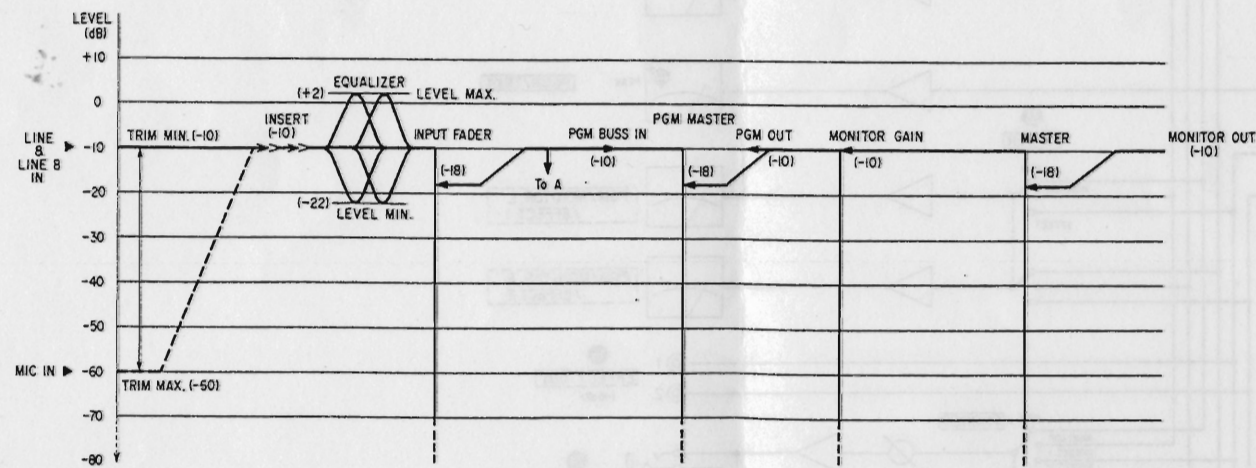
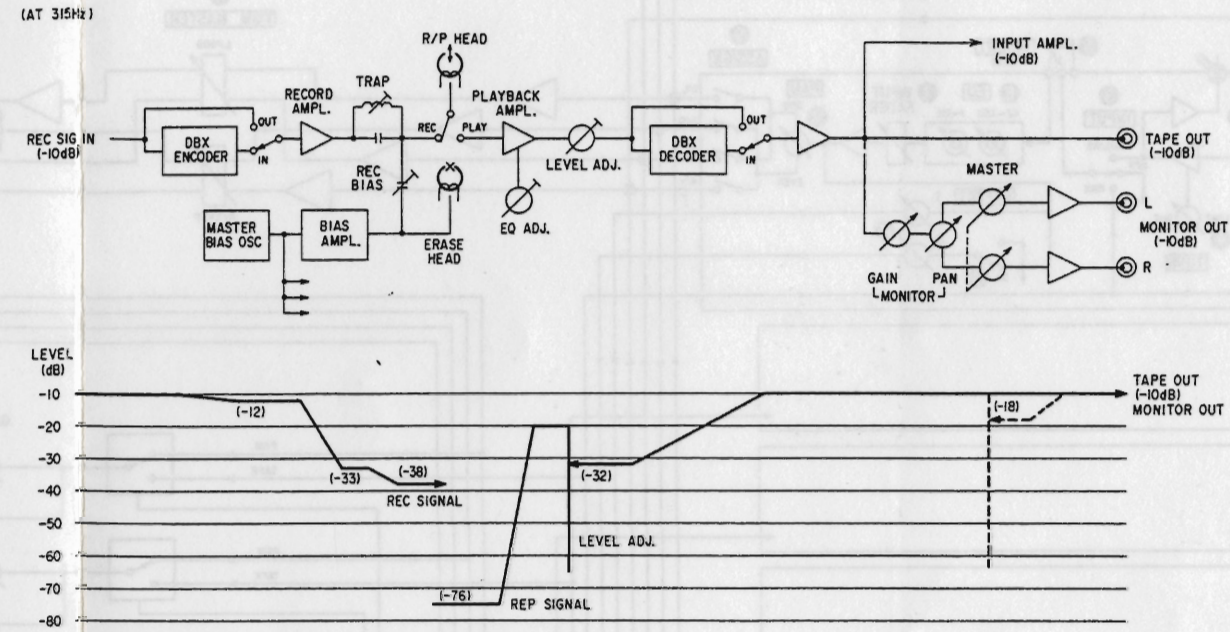
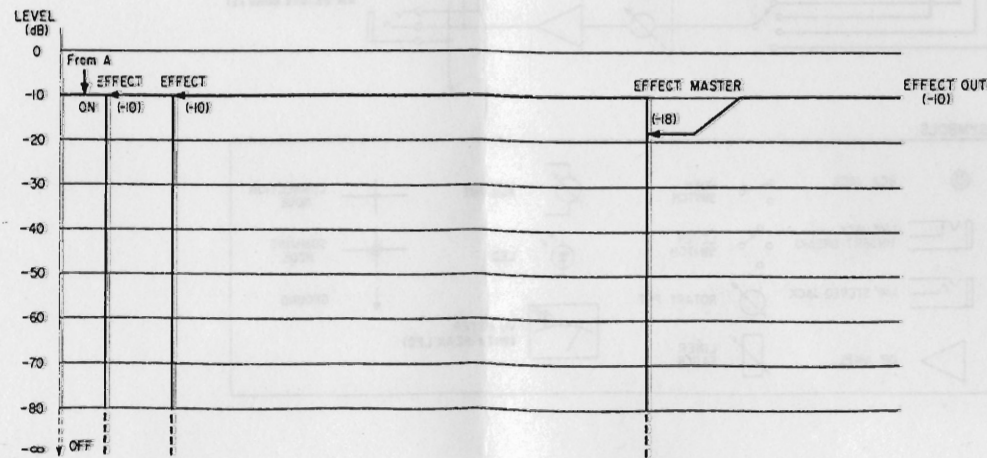


① INPUT / BUSS / MONITOR SECTION



② EFFECT SECTION



Specifications

MECHANICAL CHARACTERISTICS

Tape	Compact cassette, 70 μ s, Hi-bias (Type II) tape
Track Format	4-track, 4-channel
Head Configuration	1 Erase, 1 Record/Reproduce
Motors	1 FG Servo-controlled DC Capstan; 1 DC Reel; 1 DC ancillary
Tape Speeds ³⁾	3-3/4 ips (9.5 cm/s) and 1-7/8 ips (4.8 cm/s)

Speed Accuracy	± 1.0 % deviation
Pitch Control	± 12 %
Fast Wind Time	Approx. 85 seconds for C-60
Pause Start Time	Less than 0.5 sec. to reach standard Wow and Flutter
Dimensions (W x H x D)	500 x 401 x 123 mm (19-11/16" x 15-13/16" x 4-13/16")
Weight (net)	10.3 kg (22.7 lbs)